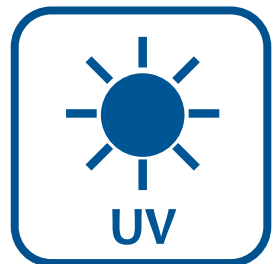
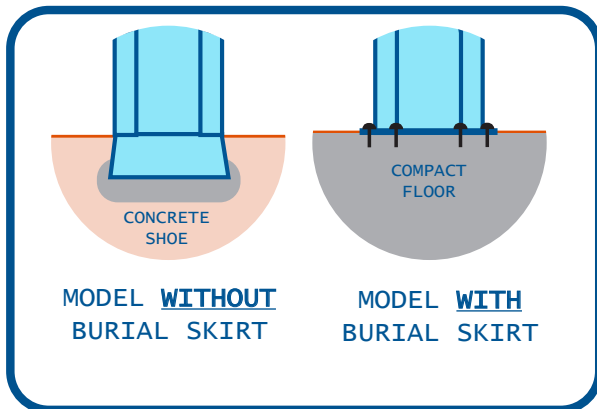
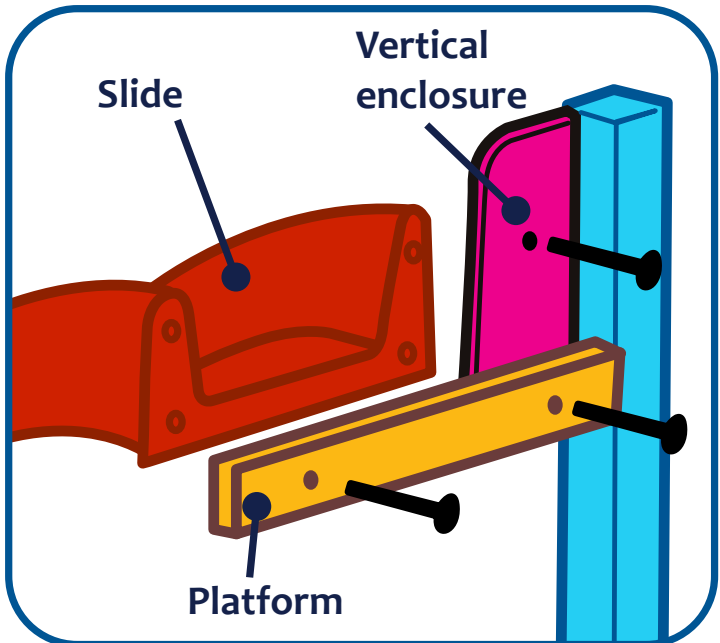


SPIRAL HELIOS 200

Instalación

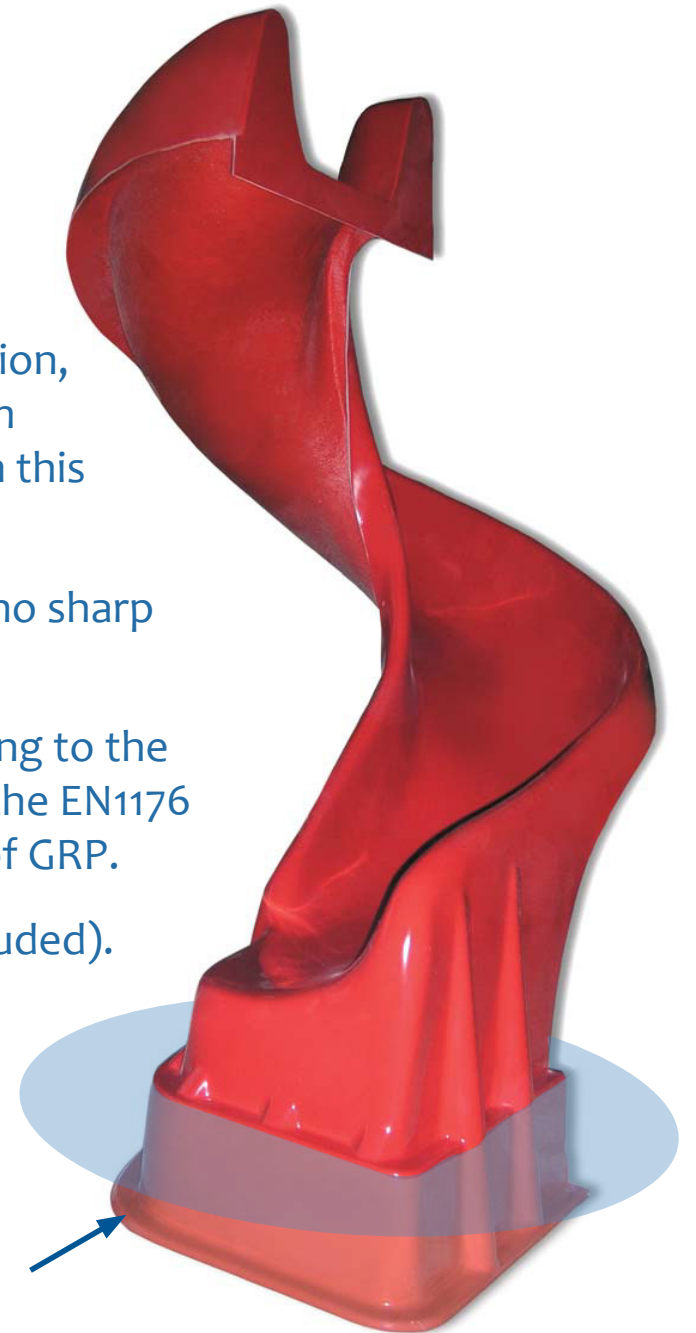


Spiral with 270° curve. It does not have a home section, since the platform itself can perform this function.

Rounded edges, no sharp edges.

Designed according to the requirements of the EN1176 standard. Made of GRP.

(Screws NOT included).



AVAILABLE COLORS:

GRAY
RAL7040

LIGHT
GREEN
RAL 6018

DARK
GREEN
RAL 6029

RED
RAL 3020

BLUE
RAL 5015

YELLOW
RAL 1018

PURPLE
RAL 4005

ORANGE
RAL 2009

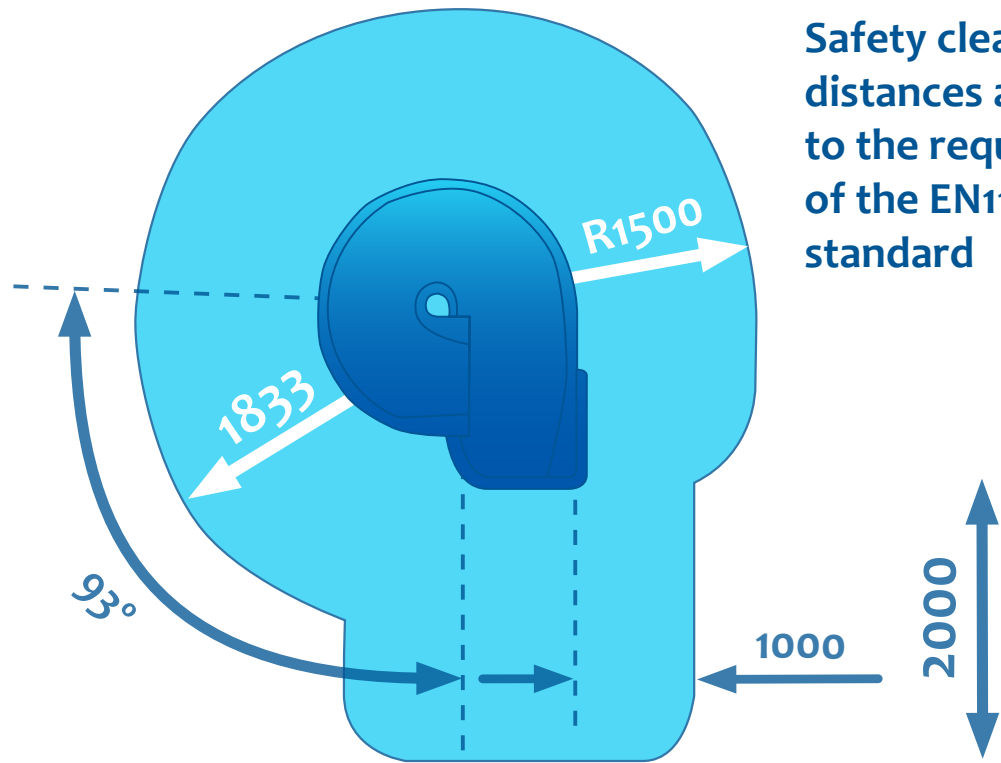
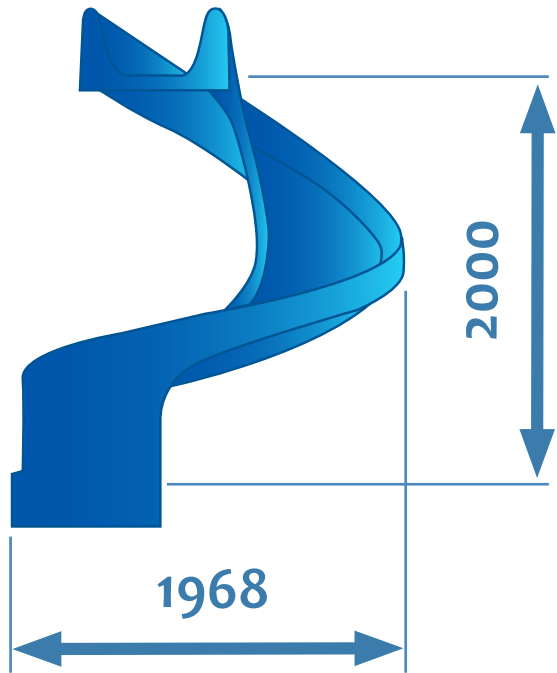


Molder Disnova Composites
www.molderdisnova.com

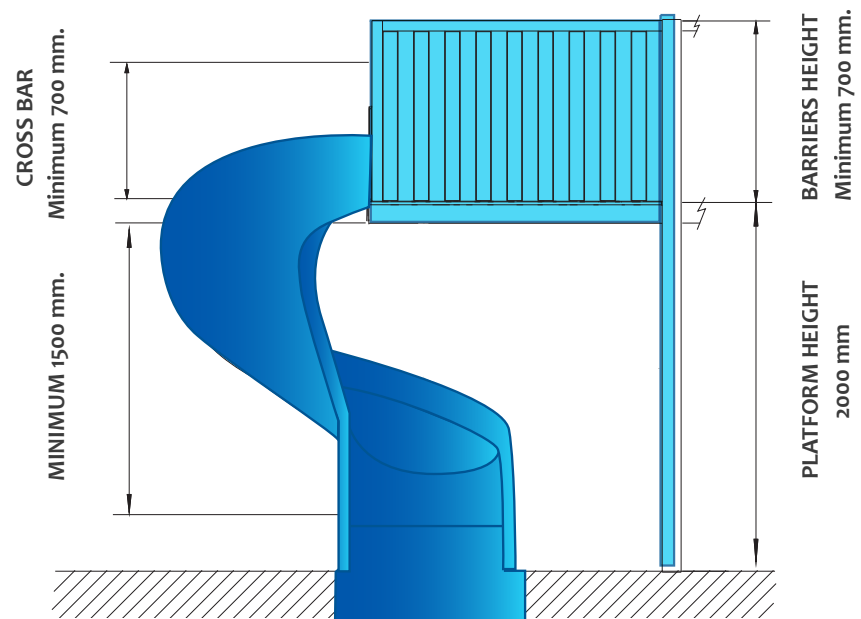
COMPOSITE

SPIRAL HELIOS 200

For platform installation



Safety clearance distances according to the requirements of the EN1176 standard



Dimensions in mm.

