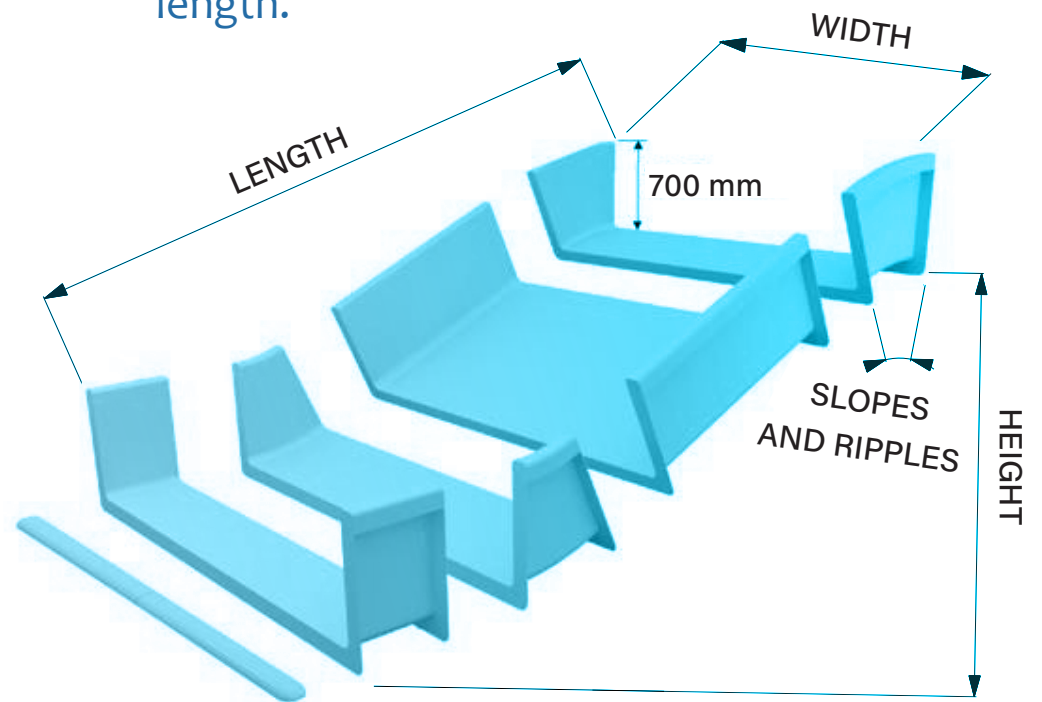
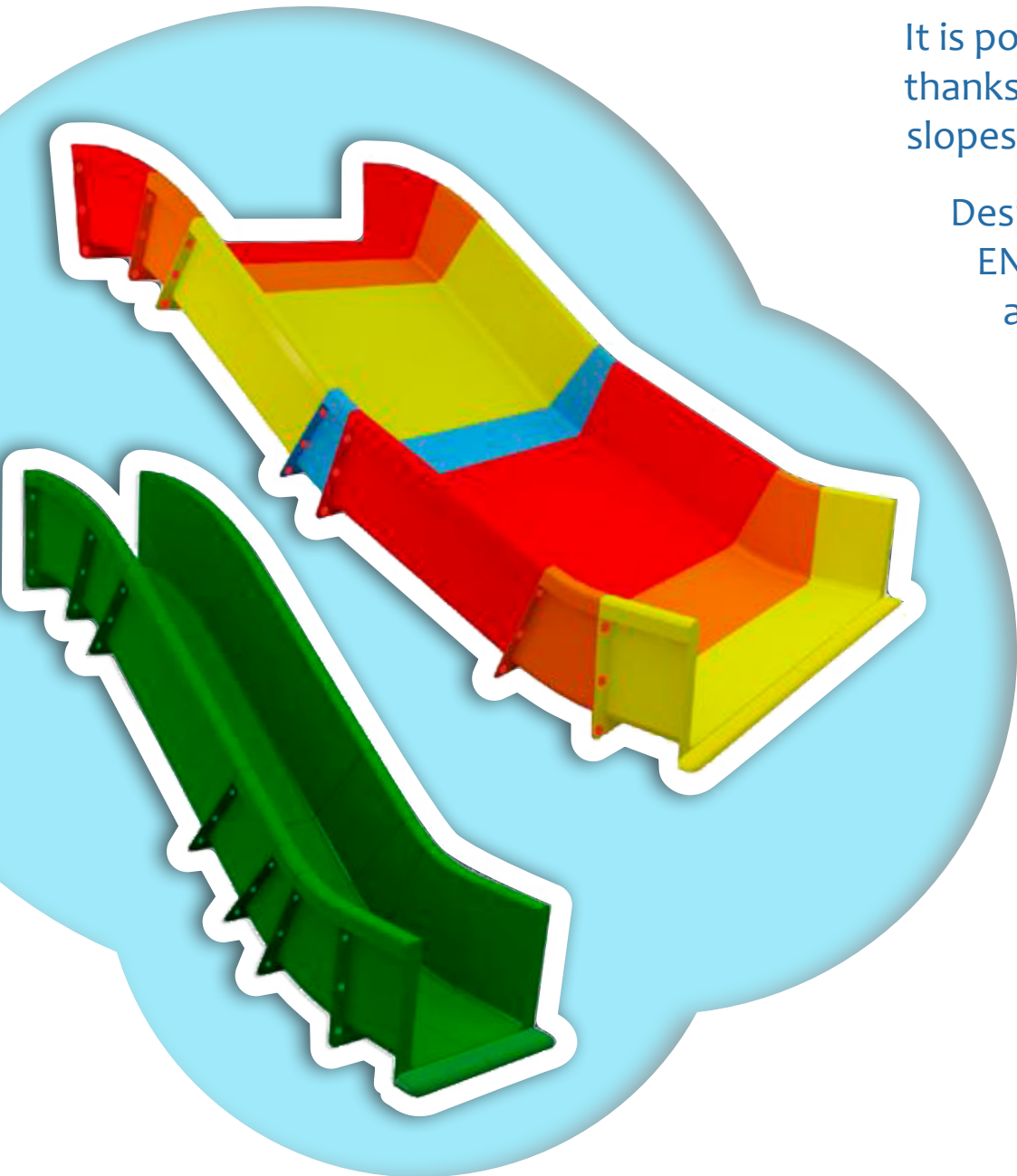


# CUSTOM RIVER SLIDES

It is possible to obtain a great variety of models thanks to its modular pieces. It can be installed on slopes, pools, platforms ...

Designed according to the requirements of the EN1176 standard. Easy installation. We work with advanced design programs to offer the best proposals to our clients.

**Slides completely made to measure.** Width from 1 to 5 meters, custom height and length.



## AVAILABLE COLORS:

(Color combination is also possible)

GRAY  
RAL7040

LIGHT  
GREEN  
RAL 6018

DARK  
GREEN  
RAL 6029

RED  
RAL 3020

BLUE  
RAL 5015

YELLOW  
RAL 1018

PURPLE  
RAL 4005

ORANGE  
RAL 2009

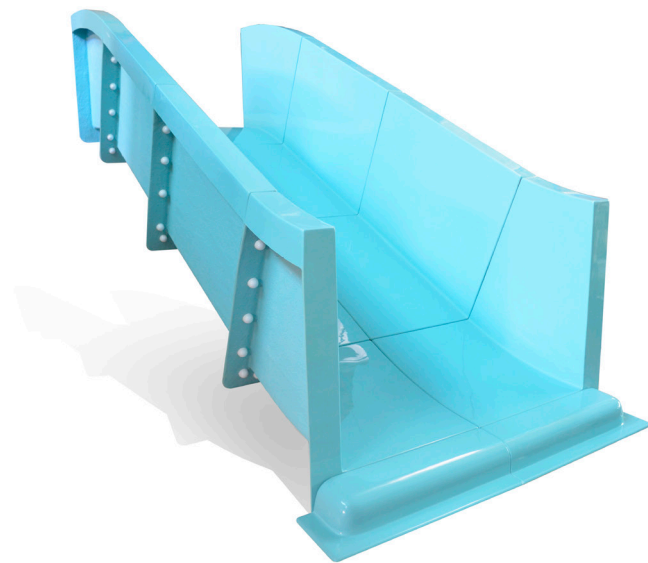


**Molder Disnova Composites**  
[www.molderdisnova.com](http://www.molderdisnova.com)

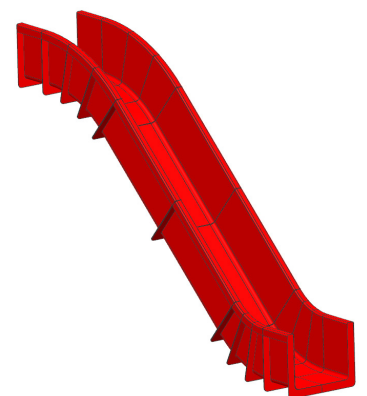
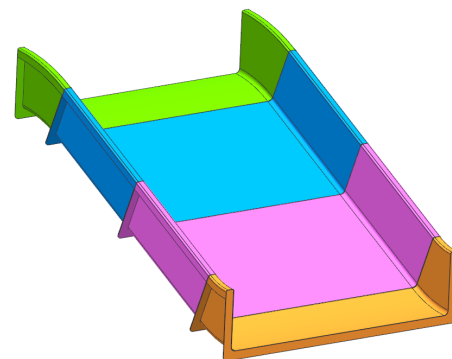
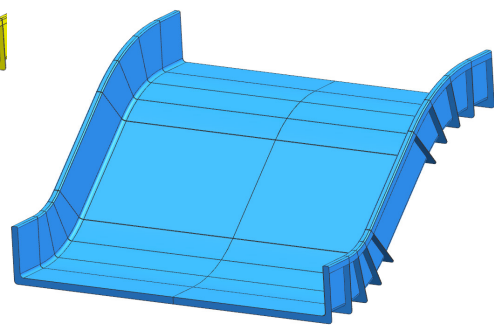
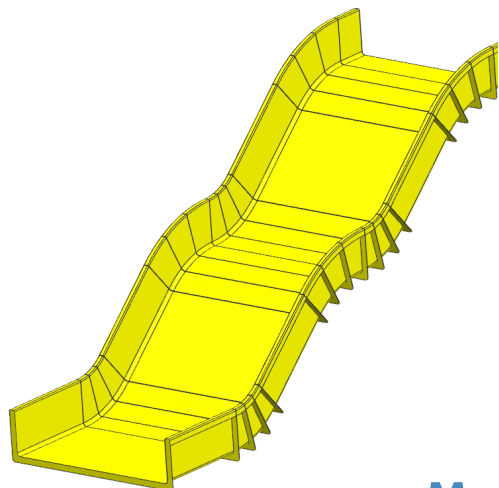
**COMPOSITE**



# CUSTOM RIVER



## EXAMPLES OF CONFIGURATIONS



**Molder Disnova Composites**  
[www.molderdisnova.com](http://www.molderdisnova.com)

**COMPOSITE**